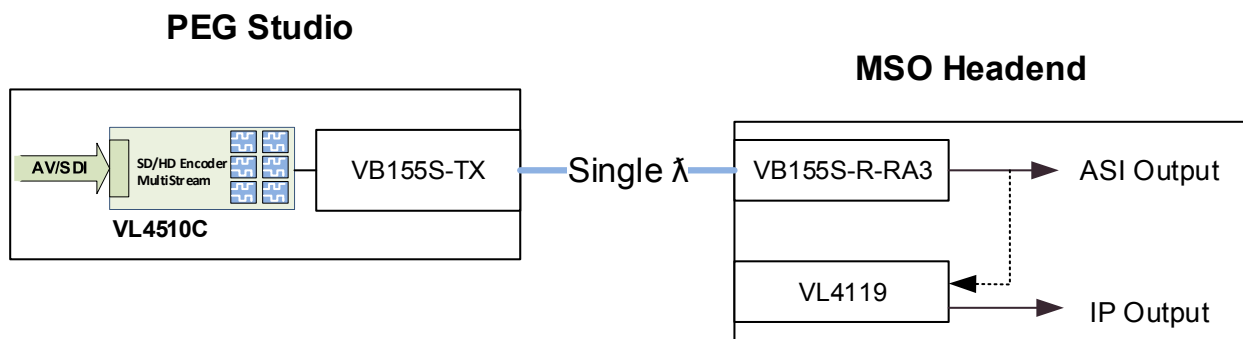


VL4125B Series SD MPEG2 to ASI Encoder



VL4125 Series of products allows the MSO to replace the legacy analog audio and video fiber transmitters with cost effective digital multi-channel encoder. That transport eliminates fiber receiver, encoder and groomer from the headend, thus way reducing rack space, power consumption and heat dissipation. The product allows the encoding to ASI allows transporting multiple streams from studio to MSO headend over single fiber/wavelength.



HIGHLIGHTS

- ◆ Scalable up to 4 channels per 1RU
- ◆ DVB ASI Input port
- ◆ MPEG2 Video, Dolby Digital 2.0 Audio
- ◆ EIA-608 Closed Caption Support
- ◆ Video Time Base Correction TBC
- ◆ DVBASI Output port, CBR TS with 54M or 108M
- ◆ Field Upgradable
- ◆ Out of band management
- ◆ Small Power and Temperature Footprint

VL4125B Series

SD MPEG2 to ASI Encoder

SPECIFICATIONS

ASI INPUT

DVB ASI Input, BNC, 75 Ohm

COMPOSITE VIDEO/AUDIO

NTSC Composite, BNC, 75 Ohm, S-Video Input, EIA-608 Closed Captions, Video Time Base Correction (TBC)

Balanced 600 Ohm or 10K Unbalanced Stereo Audio, 6-PIN CONNECTOR

TS OUTPUT

DVB ASI Output with CBR 54M or 108M rates, BNC 75 Ohm 188-byte transport packets

MANAGEMENT

10/100 Out of Band management port, Front panel LCD, Keypad and LED

ENVIROMENTAL AND POWER

Power	19W (per channel) @ 90 to 240VAC (DC Power Brick)
Weight	5lb
Operational Temp	0° to 50° C
Storage Temp	-10° to 60° C
Dimensions	1RU 17.0" W x 9.0"D x 1.75" H

ENCODER

MPEG-2 MP@ML	1-15Mbps
RESOLUTIONS:	D1, 3/4D1, 2/3D1, 1/2D1
GOP:	Configurable with I, B and P frames
FRAMERATES:	29.97, 30
CHROMA:	4:2:0
AUDIO CODEC:	Dolby Digital 2.0
SAMPLING RATE:	48kHz
BITRATE:	96-384kbps

ORDEING INOFRMATION

VL4125B-1	DVB ASI Encoder, 1 x CVBS/S-Video Input, ASI Input
VL4125B-2	DVB ASI Encoder, 2 x CVBS/S-Video Input, ASI Input
VL4125B-3	DVB ASI Encoder, 3 x CVBS/S-Video Input, ASI Input
VL4125B-4	DVB ASI Encoder, 4 x CVBS/S-Video Input, ASI Input
VVL4525BC-ECB	MPEG2/Dolby Encoder Card

Add "-48" at the end of the part number for 48VDC power option