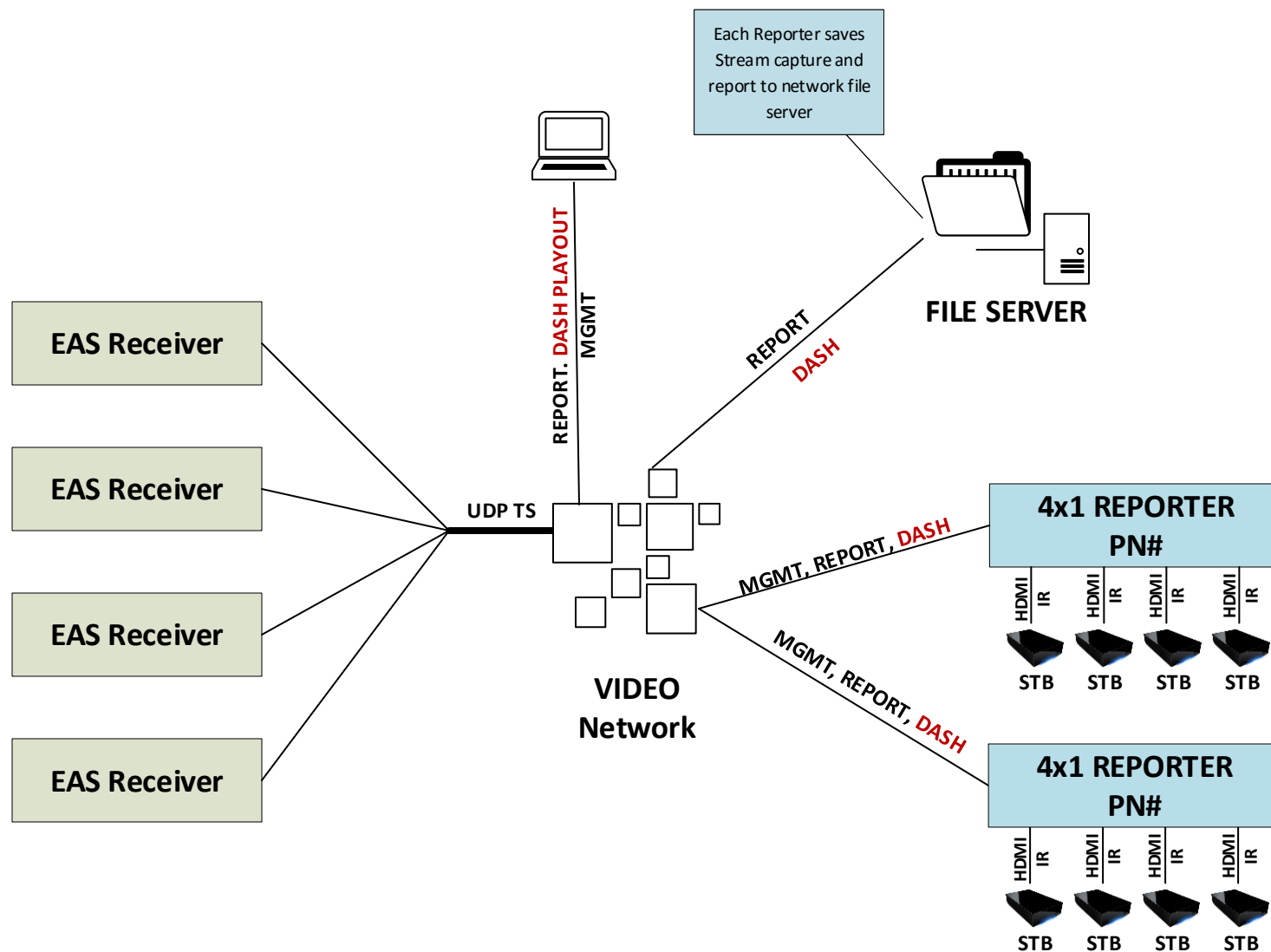


### SOLUTION 2

#### RM1121 Unit + EAS Monitoring FW



#### 4x1 Reporter Unit

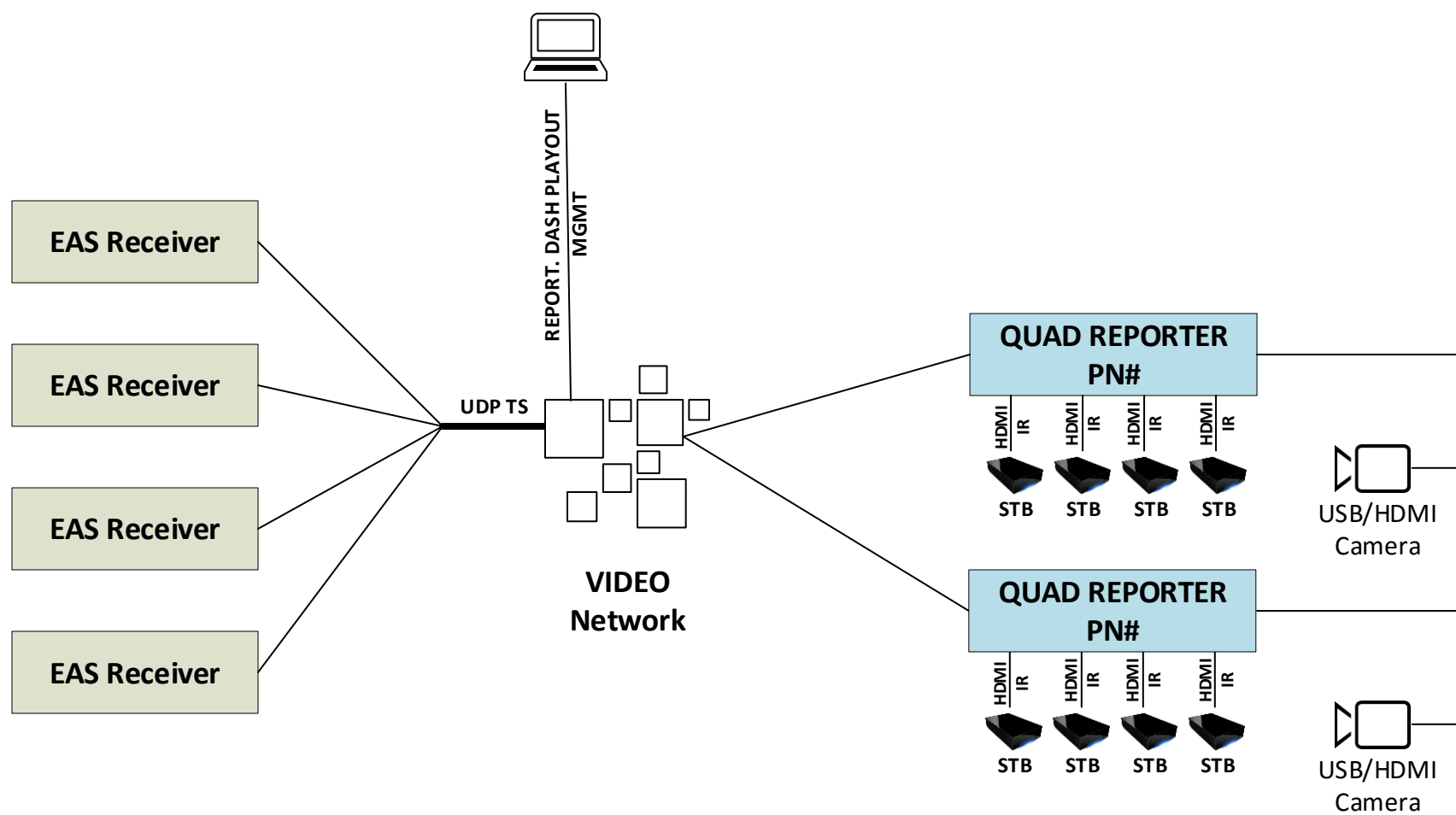
- Based on RM1121 with upgraded firmware for EAS monitoring.
1. The encoder will run in DASH mode keeping audio and video segment segments for the last 1 minute.
  2. RM1121 will subscribe to single multicast stream from EAS receiver and will monitor for SCTE18
  3. When SCTE18 is detected the segment for the last 1 min and all new segments prior of deletion will be copied to NAS.
  4. When SCTE18 is removed from stream the new 1 min segments will be copied to NAS prior of deletion.
  5. RM1121 will generate a report file for date, time and NAS folder location for the EAS test.



TITLE EAS Monitoring/Reporting System Solution2 (Custom RM1121FW)				
DRAWN BY LYUBOMIR TRAYANOV	DATE 3/26/2019	REVISED 3/26/2019	REV A0	PAGE 2 OF 3

### SOLUTION 3

### QUAD(OCTA) Reporter with build in file server and UI



#### QUAD(Octa) Reporter

New Hardware based on VL4528 and single board PC (ELLVIS hardware)

1. Encoder hardware will do 4(8) real time udp streams and IR controls
2. Ellvis hardware will:
  - 2.1 Ingest the encoder udp streams and package them as DASH.
  - 2.2 Keep a minute or more of DASH segments behind the life edge
  - 2.3 Encode/Store video/snapshots from usb camera or HDMI camera facing the units
  - 2.4 Subscribe to single(dual) multicast stream from EAS receiver and monitor for SCTE18
  - 2.5 Preserve DASH segments for the duration of SCTE18 +1 min
  - 2.6 Create report for EAS test including DASH player link.
  - 2.7 Provide user interface for EAS test reports



TITLE				
EAS Monitoring/Reporting System Solution3(QUAD/OCTA Unit)				
DRAWN BY	DATE	REVISED	REV	PAGE
LYUBOMIR TRAYANOV	3/26/2019	3/26/2019	A0	3 OF 3