

SERIES VB136S

HD/SDI OVER FIBER

- Converts HD/SDI, SDI or ASI Video to Fiber
- Distances up to 80km
- SMPTE-292M HD-SDI, SMPTE-259M SDI or DVB-ASI Digital Video
- Rack Mount /1U /Modular



Radiant Communications Corporation

P.O. Box 867 • 5001 Hadley Road • South Plainfield, NJ 07080 • USA
800.969.3427 • In New Jersey: 908.757.7444 • Fax: 908.757.8666
sales@rccfiber.com . www.rccfiber.com

VB136 REV A
HD-SDI, SDI and DVB-ASI over fiber

The VB136 transports HD-SDI (SMPTE292) or SDI (SMPTE259) or DVB-ASI signal over fiber.

The board has three variations: Transmitter, Receiver and Transceiver. The mounting options are: modular (can), Card cage mount and 1U.

The 1U unit has a built in AC power supply. The optical interface for modular and card-cage models is 3G SFP pluggable transceiver (LC connector type). The 1U version can be configured with SFP (LC) or any other variation of connectors. The available wavelengths for the product are: 850nm MM (300m), 1310nm SM(2km), 1310nm SM DFB(15km), 1550nm SM DFB(40km), 1550 SM DFB/w APD(80km), CWDM and DWDM.



Radiant Communications Corporation

P.O. Box 867 • 5001 Hadley Road • South Plainfield, NJ 07080 • USA
800.969.3427 • In New Jersey: 908.757.7444 • Fax: 908.757.8666
sales@rccfiber.com . www.rccfiber.com

FEATURES

- Cost-effective solution for transmitting HD-SDI/SDI/ASI signals over fiber
- Reclocking mode with automatic detection: 143Mbps, 270Mbps, 1.483Gbps, 1.485 Gbps or 3G
- Automatically bypasses the reclocker when the signal does not lock
- Complete module status monitoring via LEDs: Note –Receive Optical Link indicator becomes functional with a Valid Transmitter Data Input.
- One HD-SDI, SDI or DVB-ASI video input with automatic input signal detection.
- Automatic cable equalization: Up to 100 meters for Belden 1694A at 1.485 Gbps and up to 300 meters for Belden 1694A at 270 Mbps
- SFP pluggable optical interface.

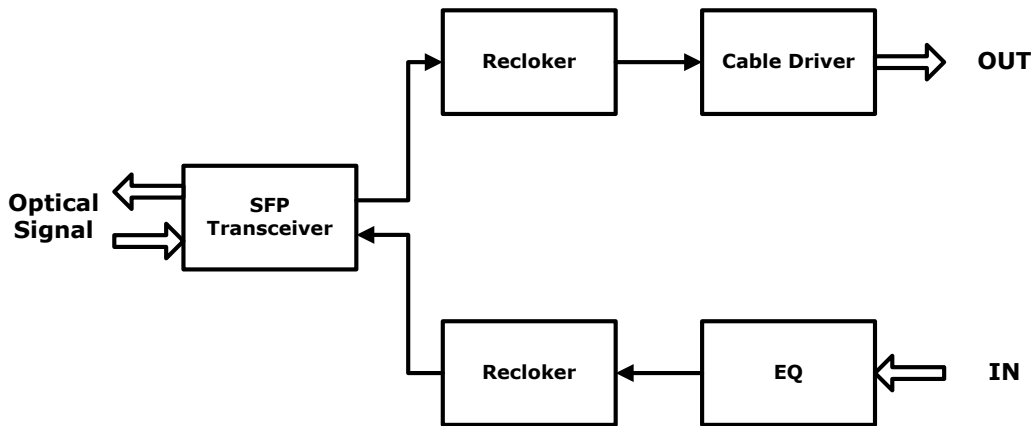


Radiant Communications Corporation

P.O. Box 867 • 5001 Hadley Road • South Plainfield, NJ 07080 • USA
800.969.3427 • In New Jersey: 908.757.7444 • Fax: 908.757.8666
sales@rccfiber.com . www.rccfiber.com

Specs

- Signal Format : SMPTE-292M HD-SDI, SMPTE-259M SDI or DVB-ASI Digital Video
- Data Rate : from 143 Mbps to 3Gbps
- Signal Level : 800mVp-p +/- 10%
- Return Loss : >15 dB
- Connector : 75 Ohm BNC
- Power Level : +12 VDC @ 1.0 A modular and Card-cage and 90-240VAC for 1U
- Operating Temperature : 0 to +50 Degree C
- Humidity : 0 to 95 % RH, non-condensing
- Status Indicators : Front Panel - Power, Optical Link, Signal Detect, HD IN/OUT; Onboard – Lock IN/OUT and Laser status
- Fiber Type : Multimode and Singlemode
- Wavelength : 1310, 1550nm, CWDM, DWDM
- Fiber Optic Connector : LC, SC and SC/APC, LC only for modular and card-cage
- Size: 1U - 17.0" W x 13.0" D x 1.75" H; Modular - 2.8" W x 3.75" D x 1.1" H; Card-cage - One Slot in CR200 card cage



VB136 Signal Flow

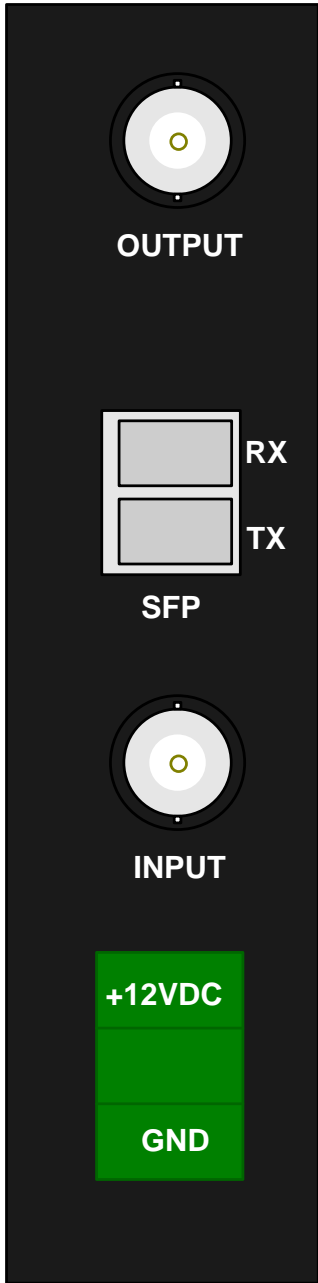
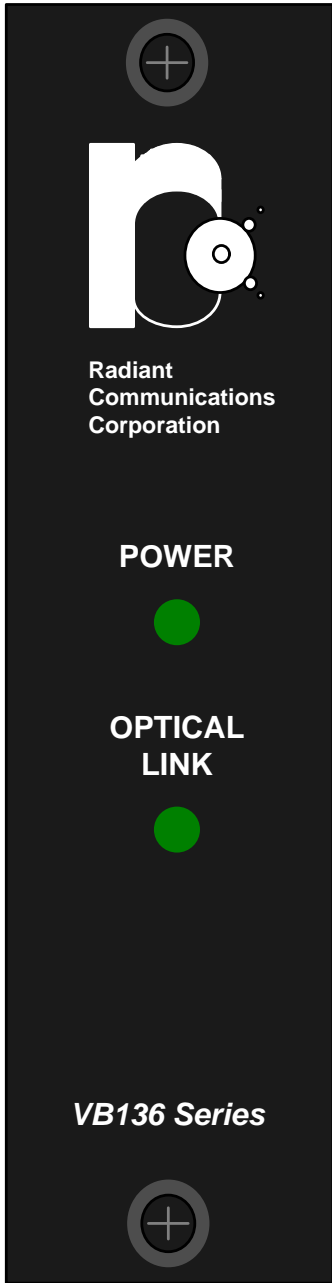


Radiant Communications Corporation

P.O. Box 867 • 5001 Hadley Road • South Plainfield, NJ 07080 • USA

800.969.3427 • In New Jersey: 908.757.7444 • Fax: 908.757.8666

sales@rccfiber.com . www.rccfiber.com



Front / Rear Panel –Modular Unit



Radiant Communications Corporation
P.O. Box 867 • 5001 Hadley Road • South Plainfield, NJ 07080 • USA
800.969.3427 • In New Jersey: 908.757.7444 • Fax: 908.757.8666
sales@rccfiber.com . www.rccfiber.com