

VAB745S

Dual Video/Audio System

- Combines DVB+NTSC V/A onto one singlemode fiber
- Options for Medium or Short Haul specifications
- Options for multiple channels
- Meets new “Must Carry” requirement
- Transmission distances of 100 km or more
- Option for DWDM Systems

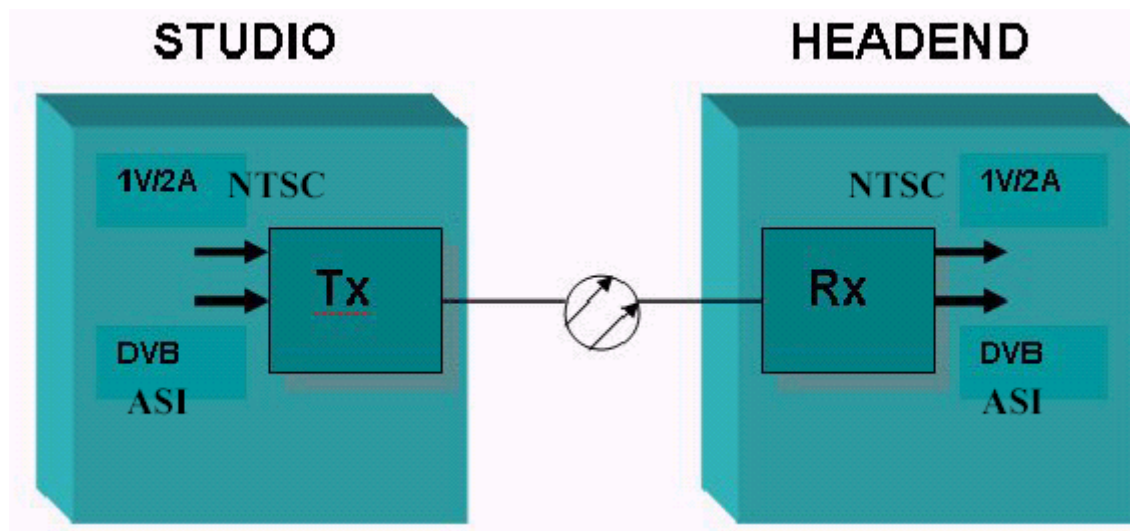


Radiant Communications Corporation

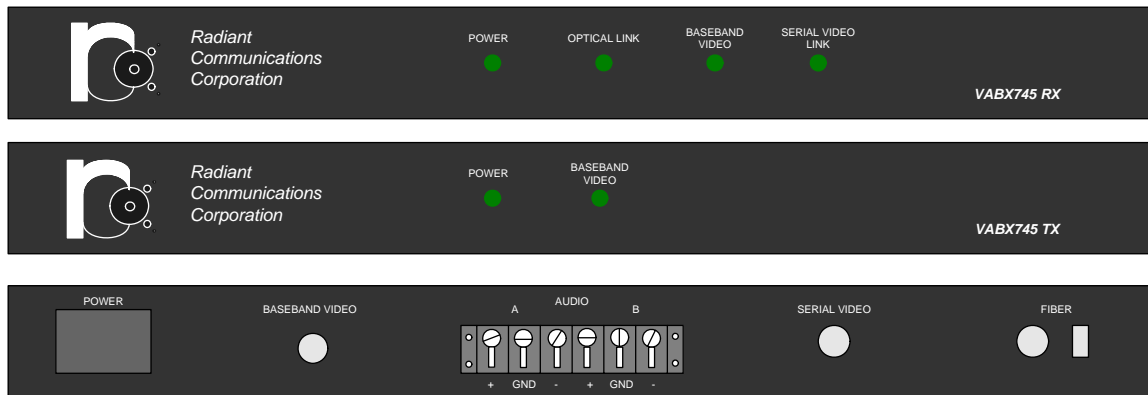
P.O. Box 867 • 5001 Hadley Road • South Plainfield, NJ 07080 • USA
800.969.3427 • In New Jersey: 908.757.7444 • Fax: 908.757.8666
sales@rccfiber.com . www.rccfiber.com

DESCRIPTION

Radiants new VAB745 series is targeted to meet the new “Must Carry requirement for both HDTV and Standard NTSC signals. This system combines both types of signals onto one fiber for transmission from the studio to the CATV headend. The standard product combines one channel of each (NTSC + DVB) onto one singlemode fiber for transmission distances of 100Km or more. However there are many options— up to four channels of each signal type can be combined onto one fiber; the standard NTSC signal can meet either RS250 Medium or Short Haul Specifications. Other type of HDTV signals can also be included— SMPTE 259, 292 or 310.



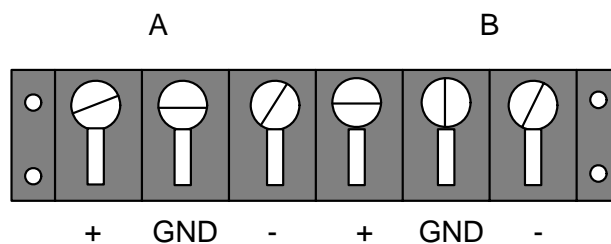
RS250 Medium Haul Version



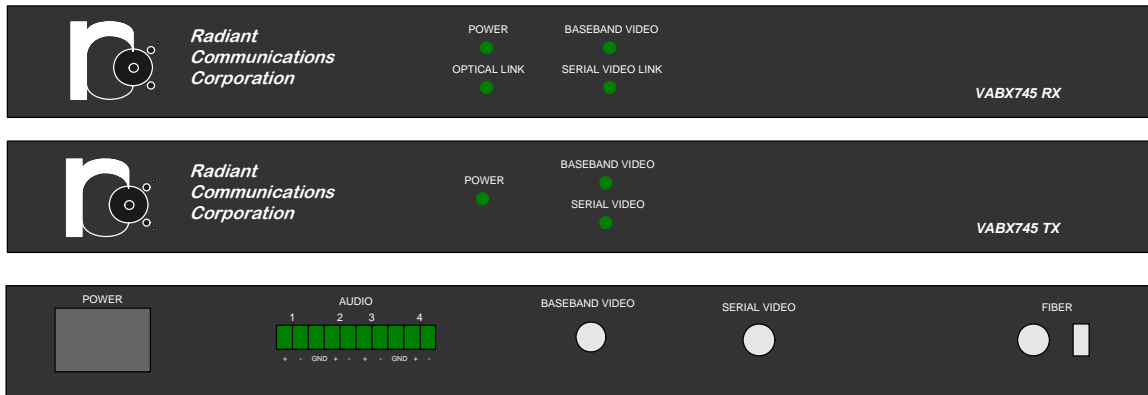
LED Indicators:

- POWER LED – Power input status
- OPTICAL LINK LED – Indicates optical link between TX and RX units (only on RX unit)
- BASEBAND VIDEO LED – Indicates Analog Video In/Out
- SERIAL VIDEO LINK LED – Indicates link between TX and RX units with digital video.

Audio Connector Pinouts:



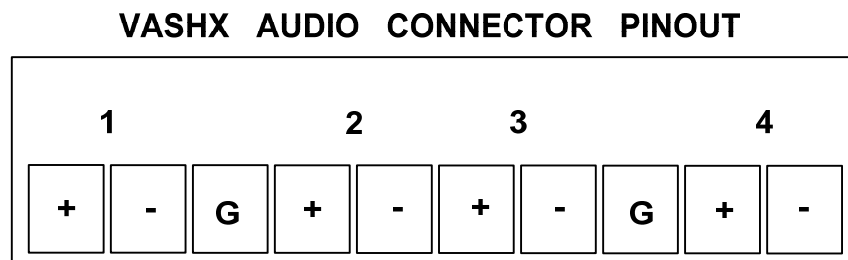
RS250 Short Haul Version



LED Indicators:

- POWER LED – Power input status
- OPTICAL LINK LED – Indicates optical link between TX and RX units (RX unit only)
- BASEBAND VIDEO LED – Indicates Analog Video In/Out
- SERIAL VIDEO LINK LED – Indicates link between TX and RX units with digital video.
- SERIAL VIDEO LED – Indicates Digital Video signal IN (TX unit only)

Audio Connector Pinouts:



TECHNICAL SPECIFICATION

VIDEO

RS250 Medium Haul

Type: 8-bit Digitaly Encoded Video

Video Bandwidth: 8 MHz

SNR/CTN: > 60 dB

I/O Level: 75 Ohms

RS250 Short Haul

Type: 10-bit Digitaly Encoded Video

Video Bandwidth: 8 MHz

SNR/CTN: > 67 dB

I/O Level: 75 Ohms

AUDIO

Type: 18-bit Digitaly Encoded Stereo Audio

Input/Output Impedance: 10k or 600 Ohms

Bandwidth: 20Hz to 16kHz

DVB

Bandwidth: 270 MBS

Impedance: 75 ohms

GENERAL

Power: 15W @ 90 to 240V AC

Operating Temp: -20° to 50° C

Storage Temp: -40 to 85° C

Size: 17.0" W x 13.0D x 1.75" H



Radiant Communications Corporation

P.O. Box 867 • 5001 Hadley Road • South Plainfield, NJ 07080 • USA

800.969.3427 • In New Jersey: 908.757.7444 • Fax: 908.757.8666

sales@rccfiber.com . www.rccfiber.com