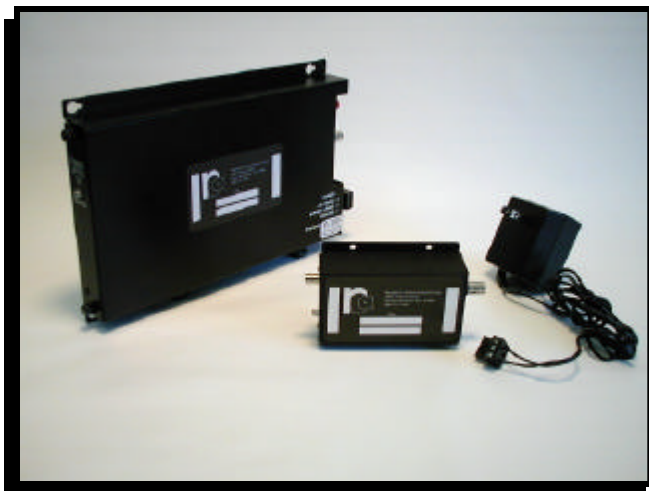


V100M Video One-Way



Multimode

Security

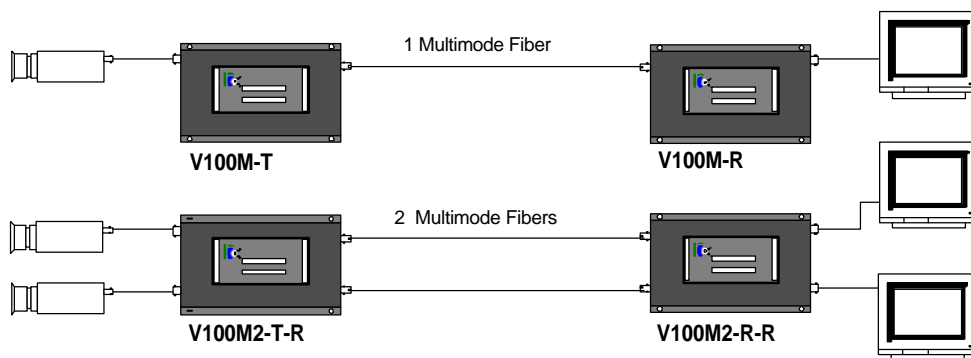
1 ch. **V** →

FEATURES

- Real-Time Video Over One Fiber
- Distances up to 3 km
- Dual Channel Rack Cards
- Color or Monochrome

DESCRIPTION

Radiant Communications V100M Series is capable of transmitting real-time video signals over one multimode fiber for distances of up to 3 km. The Series is capable of transmitting standard video signals, and can be ordered as a standalone or rack mounted units. For large capacity systems, a dual-channel unit is available for up to 34-video transmitters or receivers rack mounted in our CR200 19" x 5.25" rack. Like all Radiant Communications transmission systems, no adjustments are required at time of installation, or anytime thereafter.



Radiant Communications Corporation

5254 Merrick Road, Suite 123, Massapequa, NY 11758 USA

516.798.8084 ■ Fax 516.798.7306

E-mail: Radiant@nassau.cv.net ■ www.rccfiber.com

SPECIFICATIONS

VIDEO

Bandwidth: 8 MHz per Channel
 SNR/CTN: > 50 dB
 I/O Level: 75 ohms
 Electrical: BNC
 Optical: ST
 Differential Phase: < 5°
 Differential Gain: < 3%

POWER/TEMPERATURE/SIZE

Operating Temp: -20 to 50° C
 Storage Temp: -40 to 85° C
 Power: 0.25A @ 12-16VDC, 5W @ 12-14VAC
 Size: 2.81" W x 3.75" D x 1.1" H
 Rack Slots: 1 in CR200

ORDERING INFORMATION (Multimode 62.5um)

Part Number	Description	Fibers	Attenuation Max	Wavelength (in nm)	Distance
V100M-T	Video Transmitter	1	10 dB	850	0-3 km
V100M-R	Video Receiver	1	10 dB	850	0-3 km
V100M2-T-R	Video Tx, 2 Channel, Rack Mount	2	10 dB	850	0-3 km
V100M2-R-R	Video Rx, 2 Channel, Rack Mount	2	10 dB	850	0-3 km

OPTIONS

Power Adapter Order one PS-1 for each unit. For V100M2-T/-R standalone, order one CR-1 enclosure and one PS-2.

Rack Mount Add -R to part number for rack mount version.

High Power For Higher Power version, please refer to the V110, V111, and V112M Series.

Singlemode For Singlemode version, please refer to the V115S Series.

Due to product enhancements, specifications subject to change without notice.



Radiant Communications Corporation

5254 Merrick Road, Suite 123, Massapequa, NY 11758 USA

516.798.8084 ■ **Fax 516.798.7306**

E-mail: Radiant@nassau.cv.net ■ www.rccfiber.com